

Tech Illustrator™

Power, Precision and Flexibility

Tech Illustrator Benefits

- Enhances productivity
- Reduces production costs
- Improves publication quality and consistency
- Increases ability to meet publication deadlines
- Implementation flexibility
- Compliance with government and industry standards

Tech Illustrator Highlights

Ease of Use

- On cursor graphics manipulation
- Enhanced item selection
- Grid snap and point locks
- Context menus
- User-definable keyboard shortcuts and toolbars

Reliable Data Exchange

- Direct import/export of standard interchange formats
- Proofing/camera-ready imaging/web authoring & publishing
- Supports formats including CGM, SVG, IGES, PostScript, DWG, JPEG, and TIFF

Comprehensive Graphics Creation (2D/2.5D/3D environments)

- Orthographic projection
- Axonometric (iso-, di-, trimetric) projection
- Oblique (general, cavalier, cabinet) projection

For more than two decades, Auto-trol has been a leader in supplying technical illustration software/services to leading automotive, aerospace, DoD and commercial firms. These companies--with broad-ranging concerns about productivity, cost, quality, and timeliness--have chosen Auto-trol's proven Tech Illustrator™ product to meet rigorous publication demands.

Tech Illustrator provides a rich toolset to create from scratch, photo-trace or repurpose existing data such as scans and legacy drawings to develop high-quality 2D technical illustrations. Cost effectively publish for print, CD or Web.

In addition to intuitive onscreen menus, Tech Illustrator provides a powerful command and macro language for the experienced user, together with unique 3D drawing tools not found in other illustration systems. Illustrations created with Tech Illustrator can be output to a variety of commercial and MIL-spec publishing formats.

This powerful software application can be used off-the-shelf, or readily customized to address site-specific requirements. Tech Illustrator's Application Programming Interface (API) allows you to break through barriers imposed by artificial glass ceilings, via customization of the software tools and graphical user-interface (GUI), to address site-specific needs.

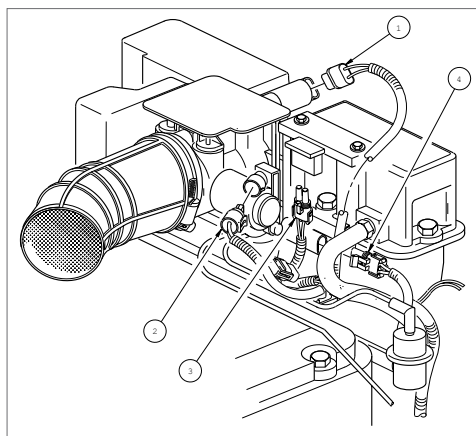
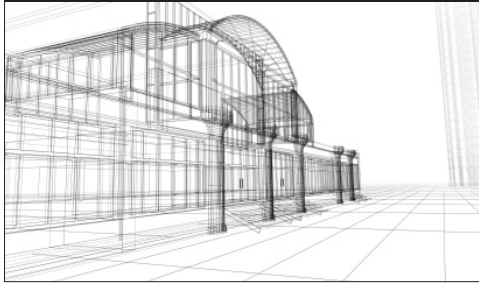


Illustration Powered by Tech Illustrator

This versatile Auto-trol solution supports true composite file formats (raster, vector, typography, metadata) and is founded on a 3D Cartesian coordinate system. File format flexibility enables you to import a wide variety of graphic/model data for direct use as illustration reference.





Tech Illustrator

Power, Precision and Flexibility

Tech Illustrator Highlights (cont'd.)

True Perspective System

- 1-point, 2-point, 3-point vanishing point perspective
- Robust query-and-match tools
- Precise input complements freehanding/traceover

Standards Compliance

- WebCGM Profile, ATA iSpec 2200 Profile GREXCHANGE 2.8, CALS Profile, MIL-PRF-87269, S1000D, and XML

Customization Tools

- Macros that support conditional execution, looping, and error handling
- Custom Toolbars, Application Plug-ins, and HTML Forms

Powerful Editing Tools (raster, vector, or both)

- Area and Item-based edits; Application object edits
- Transformations (Project, Extrude, Revolve, Wrap, HLR)

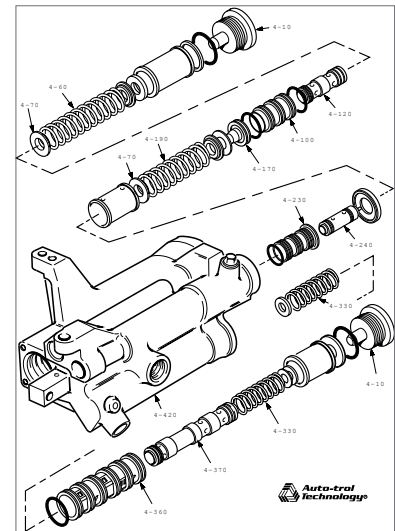
Annotation Capabilities

- ISO-Latin PostScript typefaces
- Flexible input and editing for text, callouts, microdocuments

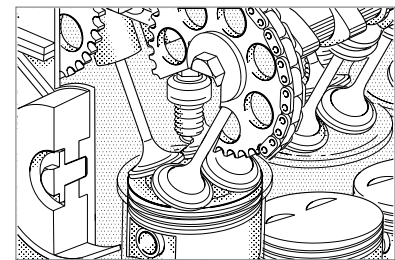
Extensive Clip Art Libraries

- Flexible symbol/clip art user interface
- Parametric components/fasteners and tubing/cabling/hoses
- User-definable symbols/clip art sheets/parametric symbols

Tools that Increase Productivity: Tech Illustrator features a powerful callout subsystem. It is XML based and allows multiple style definitions. Definitions may be defined once and shared throughout an organization for a consistent "look and feel." The tools support auto-generation of numeric, alpha, or a combination of both. Also available are tools to automatically re-number selected callouts. Tech Illustrator supports a true composite file system with external files for both vector and raster, which allows data sharing. Manipulate the composites with a handy tool to selectively turn on/off graphics for display, edit, or reference. Tech Illustrator also includes easy-to-use tools such as Item Wrap, Chase, and Extrude with hidden lines removed and items recognized.



Tools that Make a Difference: Add flair to your illustrations with professional rendering tools, including printable masking (opaque masks and halos), vignettes for thickening/thinning, graduated tints and stippling/pointillism, spot color fill and tonal gradation, crosshatch patterns, and pattern blending. Color fill your illustrations with the powerful automatic boundary chase tool, which supports sub-boundary definitions with seed points and gap processing capabilities.



Technical Illustration Solutions from Auto-trol

Auto-trol delivers powerful drawing, editing, and annotation applications designed to meet the electronic publishing needs of today's businesses—both large and small. These applications are easy to learn, easy to configure, rapidly implemented, and provide immediate productivity. Enhance your investment with Auto-trol's superior training, comprehensive support, and its full range of consulting services.

Auto-trol's Professional Services team is available to enable your realization of the full power/productivity-enhancing potential afforded by product customization. Visit www.auto-trol.com for more information about Auto-trol solutions and services.

